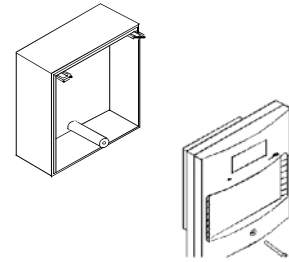


Installation

Fix the surface back box to a flat vertical surface using at least two of the four mounting holes provided. The back box may be drilled to allow cable access as required and a 20mm hole is already provided at the rear. Zone cabling may be connected to the terminals provided.



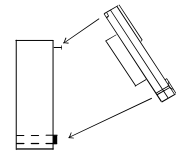
Installation 2nd Fix

Once all testing has been carried out on the cabling and 'continuity & integrity' has been proven, then the Manual Call Point unit may be installed.

Call Point Installation

The Call Point is installed by locating the upper mounting spigots into the back box and then pushing the unit gently home. The single fixing screw may then be tightened as required.

Please remember that all high voltage testing must be carried out before the installation of the Call Point front unit as this may cause damage.

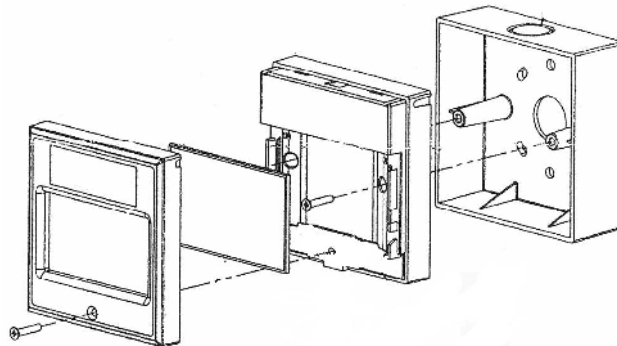


Reset and Test (Only resettable model)

The Call Point contains a resettable element, which latches in position when operated and does not need to be replaced. Inserting the key as shown and turning it clockwise until the element clicks back into place will reset the unit. Testing the Call Point may be carried out either by pressing the element or by using the key in the same manner as for resetting but without having pressed the element

Technical Support

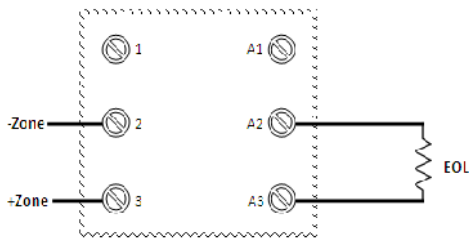
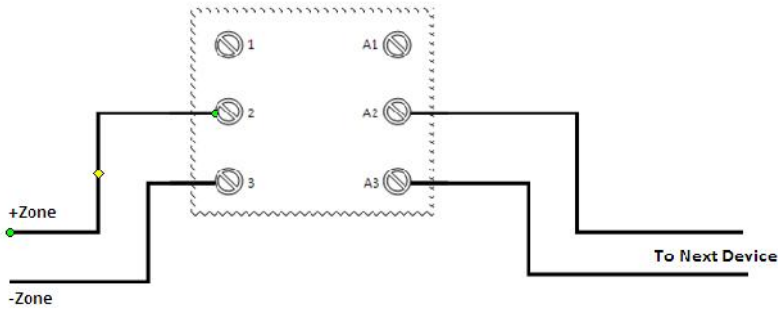
Contact your supplier for technical support on this product.



Manual Call Point Installation and Operating Instructions – Prella Security Group

The Manual Call Point is available with or without an integral alarm sounder. If your device has no sounder then ignore all reference to integral sounders on these installation instructions. This device is compatible with Prella control panels and their associated detection and alarm equipment and may be installed on the same zone as the Multipoint detector/sounder sounders and input/output modules.

The cabling should be 2c1.5 screened and fire resistant.



Size	88H x 88W x 59D mm
Switch Type	Single Pole Micro
Current Rating	3A @ 12/24 VDC 1.5A @ 48 VDC
Humidity	0-95% non-condensing
Cable Termination	6 x 2.5mm ² screw
Ingress Protection	IP24D
Operating Temperature	-30°C to +70°C
In Line Resistor	470 N/O operation only
Weight	153gm

